

ROYAL CANADIAN AIR FORCE

TECHNICAL LIBRARY
Rockwell
AIRCRAFT ENGINEERING
AIR DIVISION
R. C. M. HALLON



HANDBOOK WITH PART LIST

**WARNING SIGNALS
TYPES B46 & E2
(SPARKS-WORTHINGTON)**

(This EO replaces Interim Publication)

Beech uses similar AN 5775-2

ISSUED ON AUTHORITY OF THE CHIEF OF THE AIR STAFF

LIST OF RCAF REVISIONS

DATE	PAGE NO	DATE	PAGE NO
-------------	----------------	-------------	----------------

"This EO is a Reprint of a USAF
Technical Order. All references
to USAF tool and/or part numbers
may be referred to CAP 10".

INDEX

<u>Section</u>		<u>Pag</u>
I	Introduction	4
II	General Description and Characteristics	5
	1. Description	5
	2. Type B-4 Characteristics	5
	a. Sound Intensity	5
	b. Weight	5
	c. Dimensions	5
	d. Operating Voltage	5
	e. Current Consumption	5
	3. Type E-2 Characteristics	5
	a. Sound Intensity	5
	b. Weight	5
	c. Dimensions	5
	d. Operating Voltage	5
	e. Current Consumption	5
III	Installation	8
IV	Service Troubles and Remedies	9
V	Inspection and Maintenance	13
	1. General	13
	2. Service Inspection	13
	3. Service Maintenance	13
	a. Lubrication	13
	b. Adjustment	13
VI	Packing for Shipment and Storage	14
	1. Shipment	14
	a. Domestic	14
	b. Export	14
	c. Marking	14
	2. Storage	14
	a. Preparation for Storage	14
	b. Preparation for Use After Storage	14
	Parts Catalog	

LIST OF ILLUSTRATIONS

<u>Figure</u>		<u>Page</u>
1	Typical View of Types B-4 and E-2 Warning Signals	3
2	Typical Outline Assembly Types B-4 and E-2 Warning Signals	6
3	Typical Wiring Diagram Types B-4 and E-2 Warning Signals	7
4	Adjusting Diagram - Warning Signal Types B-4 and E-2	10
5	Section - Warning Signal Assembly Type B-4	11
6	Section - Warning Signal Assembly Type E-2	12

SECTION I

INTRODUCTION

1. This Handbook is issued as the basic Engineering Order or the equipment involved.
2. This Handbook contains descriptive data and instructions for the operation and maintenance of the Warning Signal, B-9253 (Type B-4) and B-9254 (Type E-2) manufactured by The Sparks-Withington Co. Jackson, Michigan.

SECTION IIGENERAL DESCRIPTION AND CHARACTERISTICS1. Description.

The Warning Signal, B-9253 (Type B-4) and B-9254 (Type E-2) is intended as an auditory warning in case the landing gear is not in the extended position when a landing is to be accomplished.

2. Type B-4 Characteristics.

a. Sound Intensity. - 110 decibels at a distance of three (3) feet when operated on 12 volts direct current.

b. Weight. - Not to exceed 2.5 pounds.

c. Dimensions. - See Figure 2.

d. Operating Voltage. - 10 to 14.50 volts direct current

e. Current Consumption. - Not in excess of 2.1 amps when operated on 14.50 volts and adjusted per Para. 2.a., above.

3. Type E-2 Characteristics.

a. Sound Intensity. - 110 decibels at a distance of three (3) feet when operated on 24 volts direct current.

b. Weight. - Not to exceed 2.5 pounds.

c. Dimensions. - See Figure 2.

d. Operating Voltage. - 20 to 29 volts direct current.

e. Current Consumption. - Not in excess of 1.25 amps when operated on 29 volts and adjusted per Para. 3.a., above.

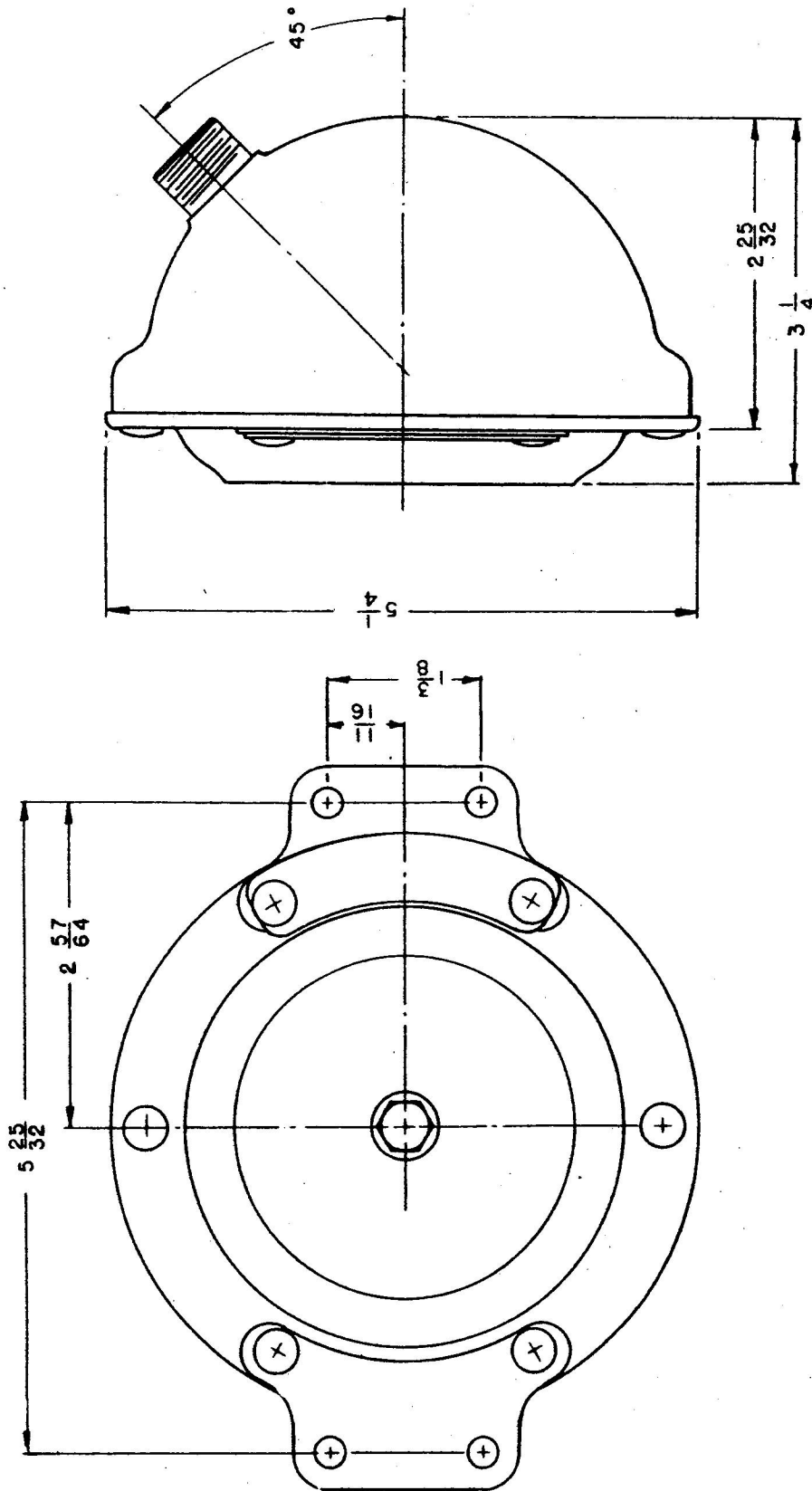


FIG.2-TYPICAL OUTLINE ASSEMBLY TYPES B-4 AND E-2 WARNING SIGNAL

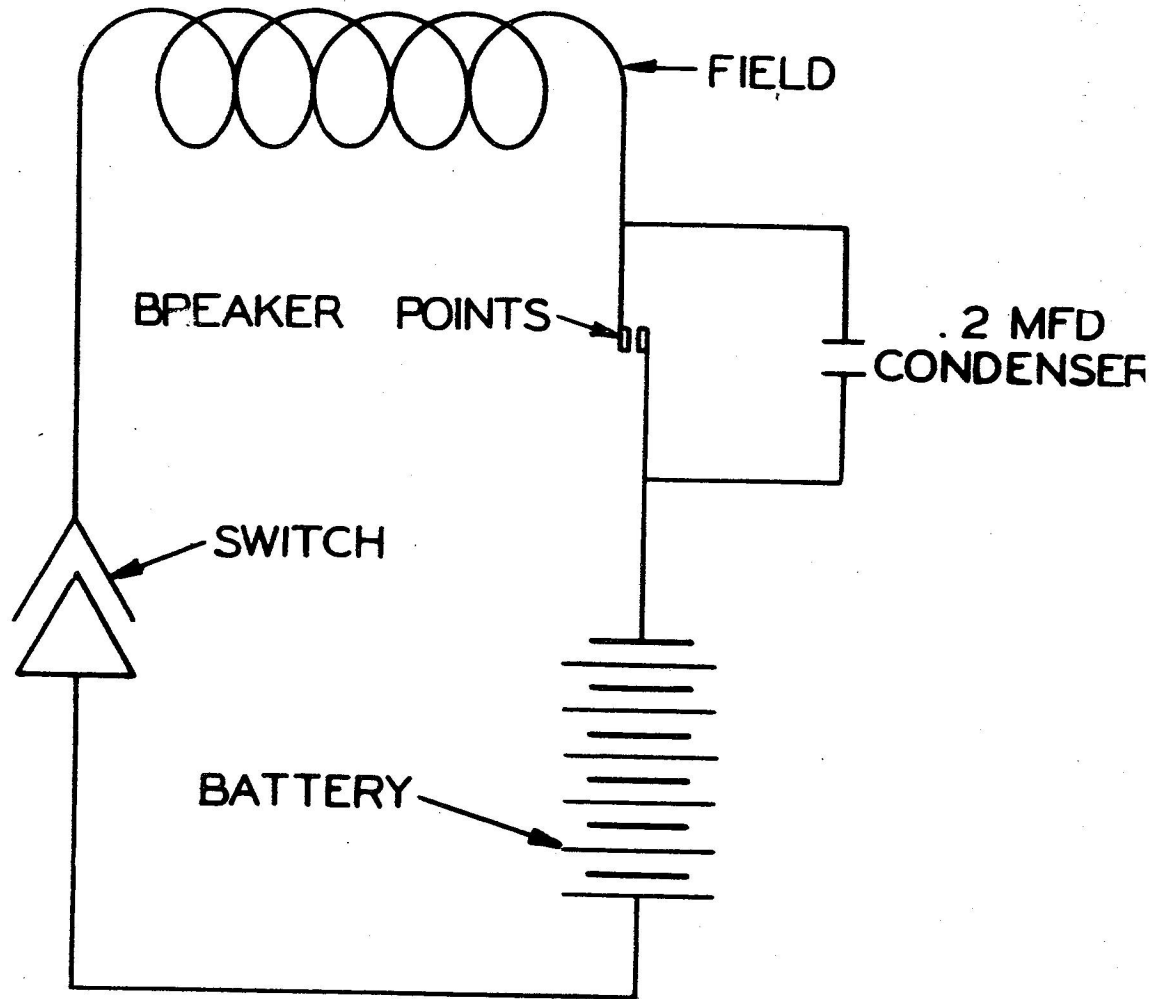


FIG. 3-TYPICAL WIRING DIAGRAM TYPES B-4 AND E-2
WARNING SIGNAL

SECTION III

INSTALLATION

1. Refer to installation drawings and Engineering Order Handbook of Instructions for specific model of Airplanes on which equipment is to be installed. Signal will be connected to wiring already installed through two terminals on contact stack.

SECTION IVSERVICE TROUBLES AND REMEDIES

<u>TROUBLE</u>	<u>CAUSES</u>	<u>REMEDIES</u>
Signal fails to operate or has low intensity	<u>a.</u> Low voltage due to discharged battery	<u>a.</u> Check battery and recharge.
	<u>b.</u> Loose or corroded battery terminals	<u>b.</u> Clean, tighten, and coat with Petrolatum Spec. 3-GP-665.
	<u>c.</u> Wiring not properly connected	<u>c.</u> See Wiring Diagram.
	<u>d.</u> Loose or high resistance connections	<u>d.</u> Clean and tighten.
	<u>e.</u> Broken contact spring	<u>e.</u> Replace contact spring and adjust as instructed in Sec. V.
	<u>f.</u> Broken armature spring	<u>f.</u> Replace armature spring and adjust as instructed in Sec. V.
	<u>g.</u> Broken or unsoldered leads in motor	<u>g.</u> Check and repair
	<u>h.</u> Shorted field coil	<u>h.</u> Test and replace and adjust as instructed in Sec. V.
Low sound intensity	<u>a.</u> Low voltage due to discharged battery	<u>a.</u> See <u>a.</u> above.
	<u>b.</u> Defective condenser	<u>b.</u> Replace condenser
	<u>c.</u> Broken armature spring	<u>c.</u> See <u>f.</u> above.
	<u>d.</u> Broken diaphragm	<u>d.</u> Replace diaphragm and adjust as instructed in Sec. V.
Excessive arcing at contacts	<u>a.</u> Not properly adjusted	<u>a.</u> Adjust as instructed in Sec. V.
	<u>b.</u> Defective condenser	<u>b.</u> Replace condenser.
	<u>c.</u> Broken armature spring	<u>c.</u> Replace armature spring and adjust as instructed in Sec. V.

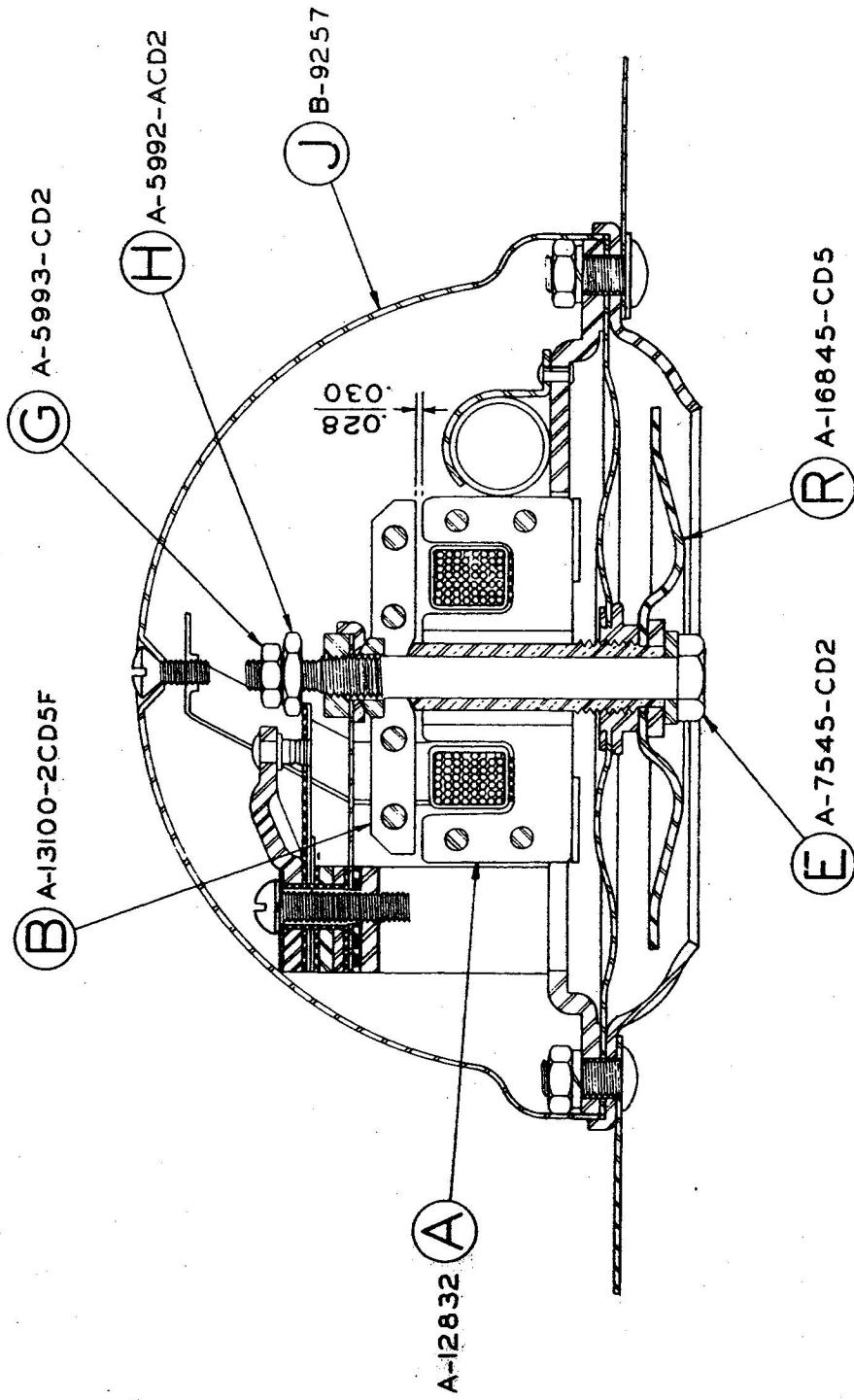


FIG. 4 - ADJUSTING DIAGRAM - WARNING SIGNAL ASSEMBLY TYPES B-4 AND E-2

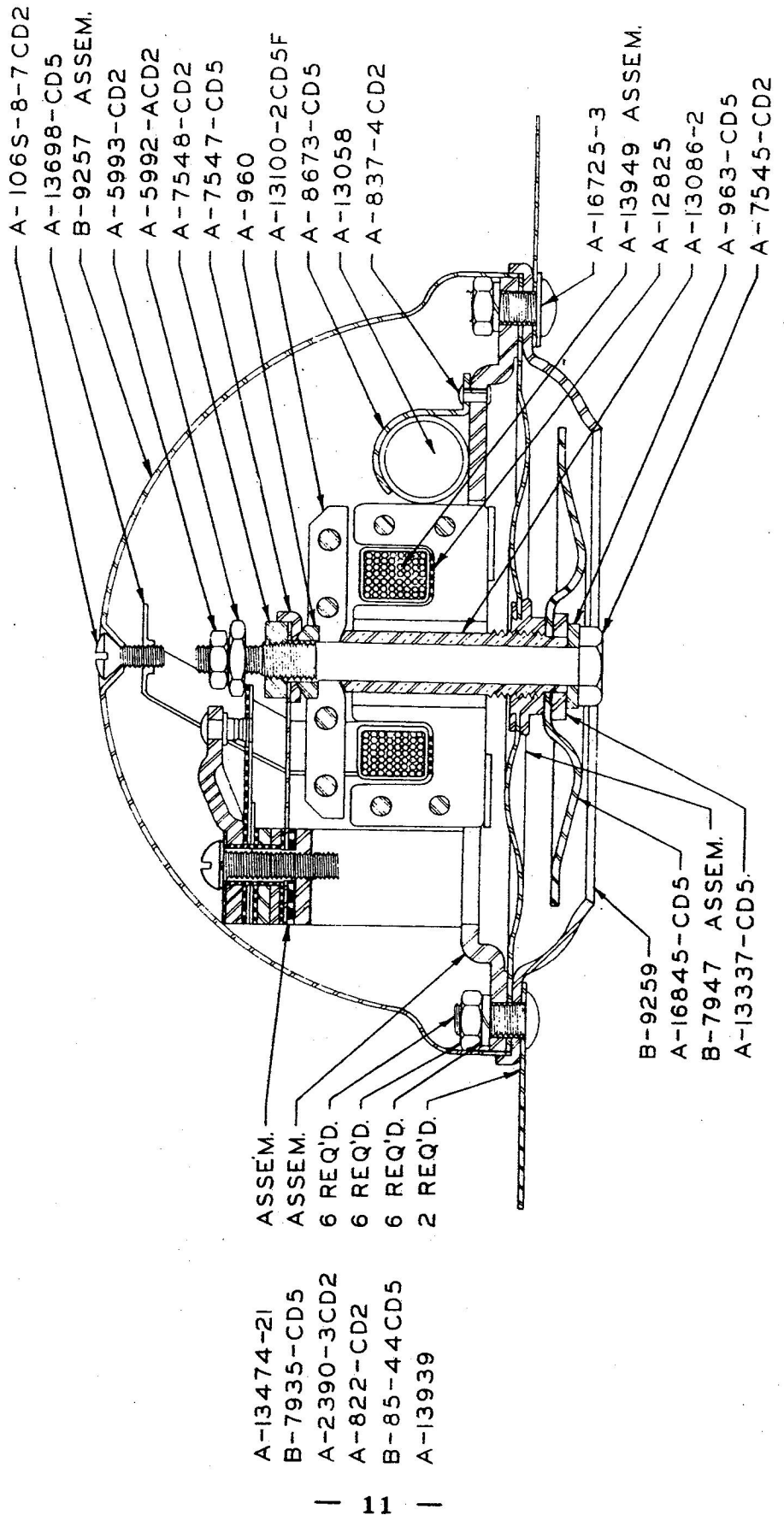


FIG. 5 - SECTION - WARNING SIGNAL ASSEMBLY TYPE B-4

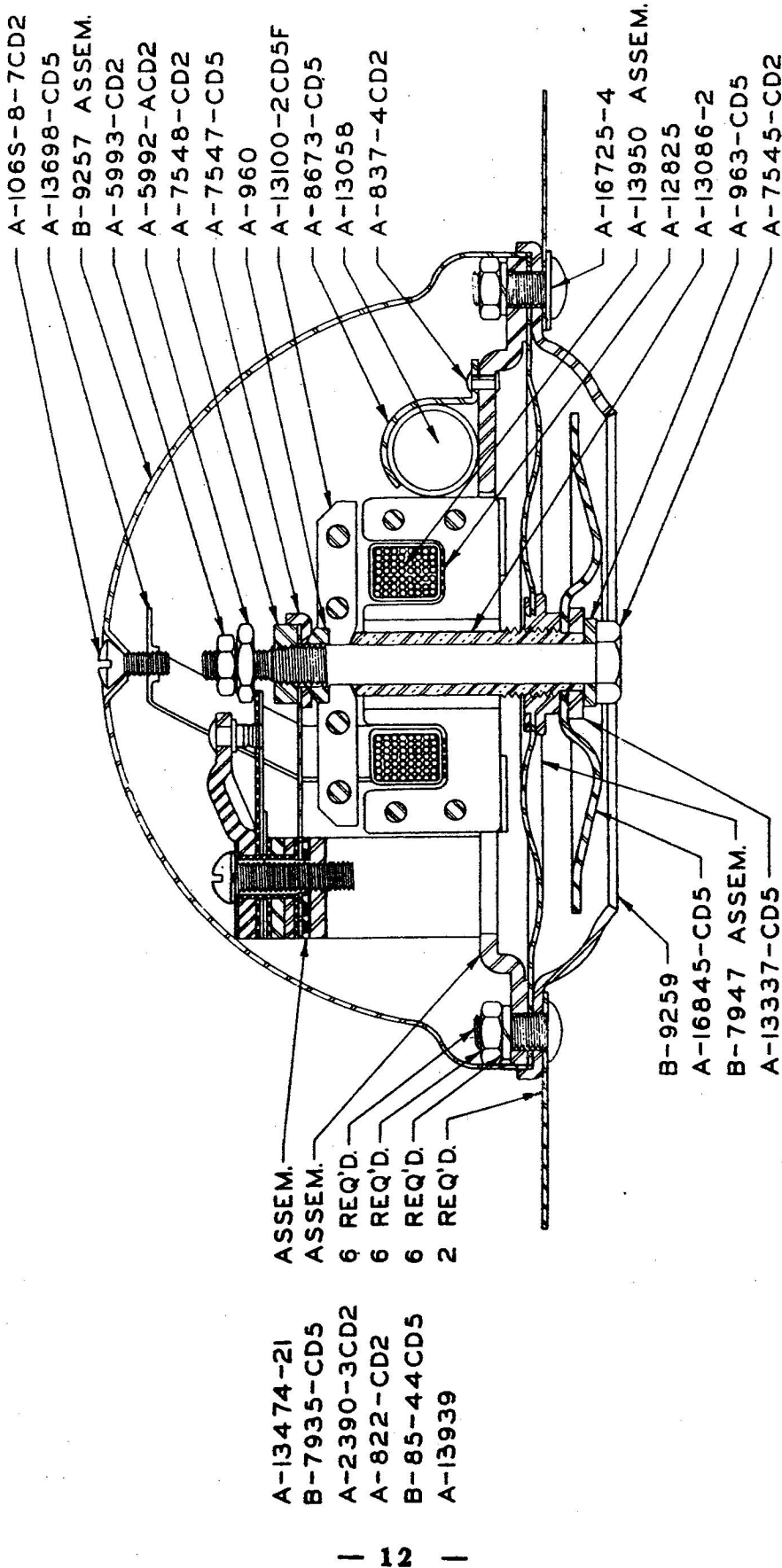


FIG. 6 - SECTION - WARNING SIGNAL ASSEMBLY TYPE E-2

SECTION VINSPECTION AND MAINTENANCE1. General.

These instructions will be used.

2. Service Inspection.

Minor.-- Check for security of mounting.

Check operation of warning signal by sounding signal.

3. Service Maintenance.

a. Lubrication. - It will not be necessary to lubricate the signal in any way.

b. Adjustment. - (1) It is best to remove horn from airplane to adjust it.

(2) Remove motor cover "J" and connect horn to a fully charged battery. Loosen locknut "G" and move adjusting nut "H" up or down until the desired sound intensity is obtained. Tighten locknut "G" and recheck.

(3) Check the air gap between field "A" and armature "B" with a feeler gage. These two parts should be parallel and .028 to .030 spaced.

(4) Loosen clamping screw "E" and turn resonator "R" in a clockwise direction to decrease the gap or in a counterclockwise direction to increase the gap. Back up adjusting nut "H" so that it does not break the contact and apply 12 volts across the field coil for the Type B-4 and 24 volts for the Type E-2. This brings the armature and field in a parallel relation while the clamping screw "E" is being tightened.

(5) Check air gap with feeler gage and readjust as in paragraph (2) above.

SECTION VI

PACKING FOR SHIPMENT AND STORAGE

1. Shipment.

a. Domestic. - Each warning signal will be packed in an individual cardboard carton and twenty cartons will be packed in a larger carton.

b. Export. - Packing will be individual cartons in wooden cases. Each case will be thoroughly lined with waterproofed paper and metal straps fastened around the case to prevent loosening of cover or sides.

c. Marking. - Shipping cases are to be marked.

2. Storage.

a. Preparation for Storage. - No special preparations are necessary prior to placing warning signals in storage. It is preferred, however, that they be wrapped in waterproofed paper prior to storing.

b. Preparation for Use After Storage. - Warning signals should be inspected by applying 12 volts for Type B-4 and 24 volts for Type E-2, across the terminals if they have been in storage for more than six months.

PARTS CATALOG

FOR THE

WARNING SIGNAL

TYPES B-4 & E-2

MANUFACTURED BY

THE SPARKS-WITHINGTON CO.

INDEXTOPARTS CATALOG

<u>Section</u>	<u>Page</u>
<u>Signal, Warning Type B-4</u>	
Numerical Parts List	1
Alphabetical Parts List	1 - 2
Assembly Parts List	1 - 3
<u>Signal, Warning Type E-2</u>	
Numerical Parts List	1
Alphabetical Parts List	1 - 2
Assembly Parts List	1 - 3

NUMERICAL PARTS LIST

SIGNAL, WARNING TYPE B-4

<u>Part No.</u>	<u>Alpha. List Page No.</u>	<u>Part No.</u>	<u>Alpha. List Page No.</u>
B-85-21CD5	2	A-7547-CD5	1
B-85-44CD5	2	A-7548-CD2	1
A-102S-8-12CD2	1	A-7551-CD5	2
A-102S-8-4CD2	2	A-7553-CD5	2
A-106S-8-7CD2	2	A-7554	2
A-822-CD2	1	B-7935-CD5	1
A-837-4CD2	1	B-7947	1
A-957	2	A-8673-CD5	1
A-958	1	B-9182	1
A-960	1	B-9253	1
A-963-CD5	2	B-9255	1
A-1132-1	2	B-9257	1
A-1475-2	1	B-9259	1
A-2185-2	1	A-12714	1
A-2197	1	A-12823	1
A-2390-3CD2	1	A-12824	1
B-4958-B	1	A-12825	1
A-5992-ACD2	1	A-12829-CD5	1
A-5993-CD2	1	A-12832	1
A-6343-23	2	A-13003-CD5	2
A-7107-3	1	A-13058	1
A-7108	1	A-13086-2	1
B-7414-4B-22	2	A-13100-2CD5F	1
B-7512-A	1	A-13290	2
A-7528-CD5	2	A-13337-CD5	2
A-7529	1	A-13428-CD5	2
A-7530-CD5	2	A-13474-21	2
A-7531	1	A-13698-CD5	2
A-7532	1	A-13769	2
A-7533-CD5	2	A-13939	1
A-7534-CD5	2	A-13941-CD2	1
A-7535-CD5	2	A-13949	1
A-7544	1	A-16202	1
A-7545-CD2	1	A-16725-3	1
		A-16845-CD5	1

ALPHABETICAL PARTS LIST

SIGNAL, WARNING TYPE B-4

<u>Name</u>	<u>Part No.</u>	<u>Assy. List Page No.</u>	<u>Qty Req</u>
Armature Assembly	A-13100-2CD5F	1	1
Bushing, Armature	A-960	1	1
Bushing, Diaphragm	A-958	1	1
Bushing, Spacing	A-13086-2	1	1
Connector, Conduit	A-13941-CD2	1	1
Clamp, Condenser	A-8673-CD5	1	1
Clip, Field Coil	A-12829-CD5	1	2
Coil, Field	A-13949	1	1
Condenser	A-13058	1	1
Contact, Short	A-1475-2	1	1
Contact, Long	A-12714	1	1
Cover Assembly, Motor	B-9257	1	1
Cover, Motor	B-9255	1	1
Diaphragm Assembly	B-7947	1	1
Diaphragm	B-7512-A	1	1
Field Assembly	A-12832	1	1
Horn and Bracket Assembly	B-9253	1	1
Housing, Front	B-9259	2	1
Housing Assembly, Rear	B-7935-CD5	1	1
Housing, Rear	B-4958-B	1	1
Insulation, Contact, Top	A-7529	1	1
Insulation, Contact, Center	A-7531	1	1
Insulation, Contact, Bottom	A-16202	1	1
Insulation, Contact Screws	A-7544	1	2
Insulation, Contact Spring	A-7532	1	1
Insulation, Field Coil	A-12825	1	1
Lamination, Armature	A-2197	1	51
Lamination, Field	A-12824	1	61
Motor Assembly	B-9182	1	1
Nut, Armature Adjusting	A-5992-ACD2	1	1
Nut, Armature Locking	A-5993-CD2	1	1
Nut, Clamping Screw	A-7548-CD2	1	1
Nut, Horn Assembly	A-822-CD2	2	6
Plate, Armature End	A-7108	1	2
Plate, Field End	A-12823	1	2
Plate, Spring Clamping	A-7547-CD	1	1
Plate, Spring	A-13939	2	2
Plate, Name	A-16725-3	2	1
Resonator	A-16845-CD5	1	1
Rivet, Armature	A-7107-3	1	4
Rivet, Field	A-2185-2	1	4
Rivet, Condenser Clamp	A-837-4CD2	1	1
Screw, Clamping	A-7545-CD2	1	1
Screw, Contact Stack	A-102S-8-12CD2	1	2
Screw, Horn Assembly	A-2390-3CD2	2	6

ALPHABETICAL PARTS LIST

SIGNAL, WARNING TYPE B-4

<u>Name</u>	<u>Part No.</u>	<u>Assy. List Page No.</u>	<u>Qty. Req.</u>
Screw, Motor Cover	A-106S-8-7CD2	2	1
Screw, Terminal	A-102S-8-4CD2	2	2
Sleeving, Field Coil	B-7414-4B-22	1	2
Solder	A-13290	2	.004#
Spacer, Stack	A-7529	1	1
Spring, Armature	A-7530-CD5	1	1
Spring, Contact Assembly	A-7553-CD5	1	1
Spring, Contact	A-7535-CD5	1	1
Stack Assembly	A-13474-21	1	1
Support, Contact Assembly	A-13003-CD5	1	1
Support, Contact	A-7551-CD5	1	1
Support, Cover	A-13698-CD5	2	1
Tape, Friction	A-13769	2	.0027#
Tape, Twilled	A-1132-1	1	1
Terminal, Contact Spring	A-7534-CD5	1	1
Terminal, Field Coil	A-7533-CD5	2	1
Terminal, Lower	A-7528-CD5	2	1
Washer, Diaphragm Bushing	A-957	1	1
Washer, Diaphragm	A-963-CD5	2	1
Washer, Double	A-13428-CD5	2	1
Washer, Lock	B-85-21CD5	2	4
Washer, Lock Horn Assembly	B-85-44CD5	2	6
Washer, Resonator	A-13337-CD5	1	1
Wire, Field Coil	A-6343-23	1	.135#
Yoke, Contact	A-7554	1	1

MAJOR ITEM		Signal, Warning Type B-4						
ASSEMBLY UNIT								
PART NUMBER	SIZE	1	2	3	4	5	PART NAME	No. REQ'D.
B-9253	B						Horn Assembly	1
B-9257	B						Cover, Motor Assembly	1
A-13941	A						Conduit Connector	1
B-9255	B						Cover - Motor	1
B-9182	B						Motor Assembly	1
A-13100-2CD5FA	A						Armature Assembly	1
A-2197	A						Lamination, Armature	51
A-7108	A						Plate - Armature End	2
A-7107-3	A						Rivet - Armature Assembly	4
A-960	A						Bushing - Armature	1
A-13086-2	A						Bushing - Spacing	1
A-8673	A						Clamp - Condenser	1
A-12829	A						Clip - Field Coil	2
A-13949	A						Coil - Field	1
B-7414-4B-22B B	B						Sleeving - Field Coil	2
A-1132-1	A						Tape - White Twilled	1
A-6343-23	A						Wire - Field Coil	.135
A-13058	A						Condenser	1
B-7947	B						Diaphragm Assembly	1
B-7512-A	B						Diaphragm	1
A-958	A						Bushing - Diaphragm	1
A-957	A						Washer - Diaphragm Bushing	1
B-7935	B						Housing - Rear Assembly	1
A-12832	A						Field Assembly	1
A-12824	A						Lamination - Field	61
A-12823	A						Plate Field End	2
A-2185-2	A						Rivet - Field Assembly	4
B-4958-B	B						Housing - Rear	1
A-7554	A						Yoke	1
A-12825	A						Insulation - Field Coil	1
A-5992-A	A						Nut - Armature Adjusting	1
A-5993	A						Nut - Armature Locking	1
A-7548	A						Nut - Clamping Screw	1
A-7547	A						Plate - Armature Spring Clamping	1
A-16845-CD5	A						Resonator	1
A-13337-CD5	A						Washer, Resonator	1
A-837-4CD2	A						Rivet - Condenser Clamp	1
A-7545	A						Screw - Clamping	1
A-13474-21	A						Stack Assembly - Contact	1
A-16202	A						Insulation - Contact Bottom	1
A-7531	A						Insulation - Contact Center	1
A-7544	A						Insulation - Contact Screws	2
A-7532	A						Insulation - Contact Spring	1
A-7529	A						Insulation - Contact Top	1
A-102S-8-12CD2 A	A						Screw - Contact Stack Assembly	2
A-7529	A						Spacer - Contact Stack	1
A-7530-CD5	A						Spring - Armature	1
A-7553-CD5	A						Spring Assembly - Contact	1
A-1475-2	A						Contact - Lower	1
A-7535-CD5	A						Spring - Contact	1
A-13003	A						Support Assembly - Contact	1
A-12714	A						Contact - Upper	1
A-7551	A						Support - Contact	1
		1	2	3	4	5		

CHECKER

ISSUED

PART LIST NO

MAJOR ITEM Signal, Warning Type B-4

ASSEMBLY UNIT

PART NUMBER	SIZE	1	2	3	4	5	PART NAME	No. REQ'D.
A-7534	A						Terminal Contact Spring	1
A-7533	A						Terminal - Field Coil	1
A-7528	A						Terminal - Lower	1
B-85-21CD5	B						Washer, Lock Contact Stack	2
A-13428	A						Washer - Double	1
A-102S-8-4CD2	A						Screw - Terminal	2
A-13290	A						Solder	.004#
A-13769	A						Tape - Friction	.0027#
B-85-21CD5	B						Washer - Lock, Terminal	2
A-963	A						Washer - Diaphragm	1
B-9259	B						Housing - Front	1
A-822-CD2	A						Nut - Horn Assembly	6
A-13939	A						Plate - Spring	2
A-16725-3	A						Plate - Name	1
A-2390-3CD2	A						Screw - Horn Assembly	6
A-106S-8-7CD2A	A						Screw - Motor Cover	1
A-13698	A						Support - Cover	1
B-85-44CD5	B						Washer Lock, Horn Assembly	6

MAJOR ITEM Signal, Warning Type B-4

ASSEMBLY UNIT

PART NUMBER	SIZE	1	2	3	4	5	PART NAME	No. REQ'D.
A-7528	A						Terminal - Lower	1
B-85-21CD5	B						Washer, Lock Contact Stack	2
A-13428	A						Washer - Double	1
A-102S-8-4CD2	A						Screw - Terminal	2
A-13290	A						Solder	.004#
A-13769	A						Tape - Friction	.0027#
B-85-21CD5	B						Washer - Lock, Terminal	2
A-963	A						Washer - Diaphragm	1
B-9259	B						Housing - Front	1
A-822-CD2	A						Nut - Horn Assembly	6
A-13939	A						Plate - Spring	2
A-16725-3	A						Plate - Name	1
A-2390-3CD2	A						Screw - Horn Assembly	6
A-106S-8-7CD2	A						Screw - Motor Cover	1
A-13698	A						Support - Cover	1
B-85-44CD5	B						Washer - Lock, Horn Assembly	6

CHECKER

ISSUED

PART LIST NO.

ALPHABETICAL PARTS LIST

SIGNAL, WARNING TYPE E-2

<u>Name</u>	<u>Part No.</u>	<u>Assy. List Page No.</u>	<u>Qty. Req.</u>
Armature Assembly	A-13100-2CD5F	1	1
Bushing, Armature	A-960	1	1
Bushing, Diaphragm	A-958	1	1
Bushing, Spacing	A-13086-2	1	1
Connector, Conduit	A-13941-CD2	1	1
Clamp, Condenser	A-8673-CD5	1	1
Clip, Field Coil	A-12829-CD5	1	2
Coil, Field	A-13950	1	1
Condenser	A-13058	1	1
Contact, Short	A-1475-2	1	1
Contact, Long	A-12714	1	1
Cover Assembly, Motor	B-9257	1	1
Cover, Motor	B-9255	1	1
Diaphragm Assembly	B-7947	1	1
Diaphragm	B-7512-A	1	1
Field Assembly	A-12832	1	1
Horn Assembly	B-9254	1	1
Housing, Front	B-9259	2	1
Housing Assembly, Rear	B-7935-CD5	1	1
Housing, Rear	B-4958-B	1	1
Insulation, Contact, Top	A-7529	1	1
Insulation, Contact, Center	A-7531	1	1
Insulation, Contact, Bottom	A-16202	1	1
Insulation, Contact Screws	A-7544	1	2
Insulation, Contact Spring	A-7532	1	1
Insulation, Field Coil	A-12825	1	1
Lamination, Armature	A-2197	1	51
Lamination, Field	A-12824	1	61
Motor Assembly	B-9183	1	1
Nut, Armature Adjusting	A-5992-ACD2	1	1
Nut, Armature Locking	A-5993-CD2	1	1
Nut, Clamping Screw	A-7548-CD2	1	1
Nut, Horn Assembly	A-822-CD2	2	6
Plate, Armature End	A-7108	1	2
Plate, Field End	A-12823	1	2
Plate, Spring Clamping	A-7547-CD5	1	1
Plate, Spring	A-13939	2	2
Plate, Name	A-16725-4	2	1
Resonator	A-16845-CD5	1	1
Rivet, Armature	A-7107-3	1	4
Rivet, Field	A-2185-2	1	4
Rivet, Condenser Clamp	A-837-4CD2	1	1
Screw, Clamping	A-7545-CD2	1	1
Screw, Contact Stack	A-102S-8-12CD2	1	2

ALPHABETICAL PARTS LIST

SIGNAL, WARNING TYPE E-2

<u>Name</u>	<u>Part No.</u>	<u>Assy. List Page No.</u>	<u>Qty. Req.</u>
Screw, Horn Assembly	A-2390-3CD2	2	6
Screw, Motor Cover	A-106S-8-7CD2	2	1
Screw, Terminal	A-102S-8-4CD2	2	2
Sleeving, Field Coil	B-7414-4B-22	1	2
Solder	A-13290	2	.004#
Spacer, Stack	A-7529	1	1
Spring, Armature	A-7530-CD5	1	1
Spring, Contact Assembly	A-7553-CD5	1	1
Spring, Contact	A-7535-CD5	1	1
Stack Assembly	A-13474-21	1	1
Support Assembly Contact	A-13003-CD5	1	1
Support, Contact	A-7551-CD5	1	1
Support, Cover	A-13698-CD5	2	1
Tape, Friction	A-13769	2	.0027#
Tape, Twilled	A-1132-1	1	1
Terminal, Contact Spring	A-7534-CD5	1	1
Terminal, Field Coil	A-7533-CD5	2	1
Terminal, Lower	A-7528-CD5	2	1
Washer, Diaphragm, Bushing	A-957	1	1
Washer, Diaphragm	A-963-CD5	2	1
Washer, Double	A-13428-CD5	2	1
Washer, Lock	B-85-21CD5	2	4
Washer, Lock, Horn Assembly	B-85-44CD5	2	6
Washer, Resonator	A-13337-CD5	1	1
Wire, Field Coil	A-6343-26	1	.105#
Yoke, Contact	A-7554	1	1

MAJOR ITEM Signal, Warning Type E-2

ASSEMBLY UNIT

PART NUMBER	SIZE	1	2	3	4	5	PART NAME	No. REQ'D.	
B-9254	B	Horn Assembly							1
B-9257	B	Cover - Motor Assembly							1
A-13941	A	Conduit Connector							1
B-9255	B	Cover - Motor							1
B-9183	B	Motor Assembly							1
A-13100-2	A	Armature Assembly							1
A-2197	A	Lamination - Armature							51
A-7108	A	Plate - Armature End							2
A-7107-3	A	Rivet - Armature Assembly							4
A-960	A	Bushing - Armature							1
A-13086-2	A	Bushing - Spacing							1
A-8673	A	Clamp - Condenser							1
A-12829	A	Clip - Field Coil							2
A-13950	A	Coil - Field							1
B-7414-4B-22	B	Sleeving - Field Coil							2
A-1132-1	A	Tape - White Twilled							1
A-6343-26	A	Wire - Field Coil							105#
A-13058	A	Condenser							1
B-7947	B	Diaphragm Assembly							1
A-958	A	Bushing - Diaphragm							1
B-7512-A	B	Diaphragm							1
A-957	A	Washer - Diaphragm Bushing							1
B-7935	B	Housing - Rear, Assembly							1
A-12832	A	Field Assembly							1
A-12824	A	Lamination - Field							61
A-12823	A	Plate - Field End							2
A-2185-2	A	Rivet Field Assembly							4
B-4958-B	B	Housing - Rear							1
A-7554	A	Yoke							1
A-12825	A	Insulation - Field							1
A-5992-A	A	Nut - Armature Adjusting							1
A-5993	A	Nut - Armature Locking							1
A-7548	A	Nut - Clamping Screw							1
A-7547	A	Plate - Armature Spring Clamping							1
A-16845-CD5	A	Resonator							1
A-13337-CD5	A	Washer, Resonator							1
A-837-4CD2	A	Rivet - Condenser Clamp							1
A-7545	A	Screw - Clamping							1
A-13474-21	A	Stack Assembly - Contact							1
A-16202	A	Insulation - Contact Bottom							1
A-7531	A	Insulation - Contact Center							1
A-7544	A	Insulation - Contact Screws							2
A-7532	A	Insulation - Contact Spring							1
A-7529	A	Insulation - Contact Top							1
A-1028-8-12CD2 A	A	Screw - Contact Stack Assembly							2
A-7529	A	Spacer - Contact Stack							1
A-7530-CD5	A	Spring - Armature							1
A-7553-CD5	A	Spring Assembly - Contact							1
A-1475-2	A	Contact - Lower							1
A-7535-CD5	A	Spring - Contact							1
A-13003	A	Support Assembly - Contact							1
A-12714	A	Contact - Upper							1
A-7551	A	Support - Contact							1

CHECKER

ISSUED

PART LIST NO.

NUMERICAL PARTS LIST

SIGNAL, WARNING TYPE E-2

<u>Part No.</u>	<u>Alpha. List Page No.</u>	<u>Part No.</u>	<u>Alpha. List Page No.</u>
B-85-21CD5	2	B-9183	1
B-85-44CD5	2	B-9254	1
A-102S-8-12CD2	1	B-9255	1
A-102S-8-4CD2	2	B-9257	1
A-106S-8-7CD2	2	B-9259	1
A-822-CD2	1	A-12714	1
A-837-4CD2	1	A-12823	1
A-957	2	A-12824	1
A-958	1	A-12825	1
A-960	1	A-12829-CD5	1
A-963-CD5	2	A-12832	1
A-1132-1	2	A-13003-CD5	2
A-1475-2	1	A-13058	1
A-2185-2	1	A-13086-2	1
A-2197	1	A-13100-2CD5F	1
A-2390-3CD2	2	A-13290	2
B-4958-B	1	A-13337-CD5	2
A-5992-ACD2	1	A-13428-CD5	2
A-2993-CD2	1	A-13474-21	2
A-6343-23	2	A-13698-CD5	2
A-7107-3	1	A-13769	2
A-7108	1	A-13939	1
B-7414-4B-22	2	A-13941-CD2	1
B-7512-A	1	A-13950	1
A-7528-CD5	2	A-16202	1
A-7529	1	A-16725-4	1
A-7530-CD5	2	A-16845-CD5	1
A-7531	1		
A-7532	1		
A-7533-CD5	2		
A-7534-CD5	2		
A-7535-CD5	2		
A-7544	1		
A-7545-CD2	1		
A-7547-CD5	1		
A-7548-CD2	1		
A-7551-CD5	2		
A-7553-CD5	2		
A-7554	2		
B-7935-CD5	1		
B-7947	1		
A-8673-CD5	1		

