

13 Jan 61

DESCRIPTION AND MAINTENANCE INSTRUCTIONS

**REMOVAL OF DOME RETAINING NUTS**

**HAMILTON STANDARD HYDROMATIC PROPELLERS**

**PURPOSE**

1 To provide a method of preventing existing dome retaining nut wrenches from slipping off the retaining nut. The use of this clamping tool by operating units is suggested to prevent injury to personnel and/or damage to propellers.

**GENERAL**

2 Figure 1 details the local manufacture of a clamping tool for use with the dome retaining nut wrench used on the 22D30 Expeditor propeller.

3 The details of Figure 1 may be adapted to any Hamilton Standard propeller using similar type dome retaining nut wrenches as follows:

(a) Measure circumference of dome, brass strip (30B/414) should then be cut one half inch longer than circumference of dome. All other details of Figure 1 will then apply.

**INSTRUCTIONS**

4 After installing the dome retaining nut wrench fit clamping tool over dome against wrench and tighten.

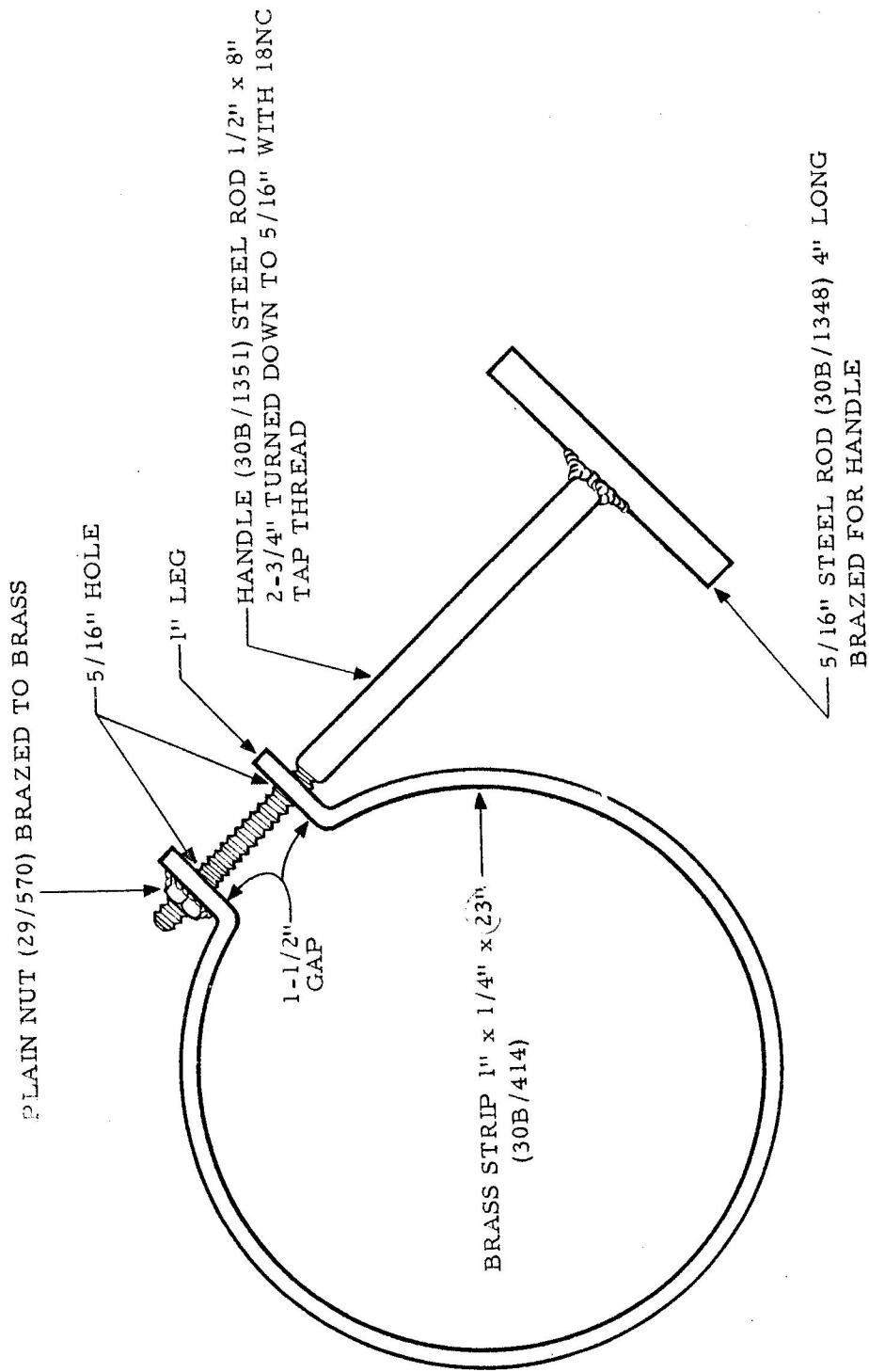


Figure 1

ISSUED ON AUTHORITY OF THE CHIEF OF THE AIR STAFF

Prepared By:  
AMC/SACO/ACR