

DESCRIPTION AND MAINTENANCE INSTRUCTIONS INSTALLATION OF COUNTERWEIGHT ADJUSTING SCREW ASSEMBLIES

- 1 To provide an easier method of preventing stop nuts from being disturbed during dismantling and assembly of propeller counterweights.
- 2 This tool is designed to be installed on the stop nut assemblies before they are removed from the propeller, and can be removed after the stop nut assemblies have been re-installed.
- 3 Two of these tools are required and are to be locally manufactured as per Figure 1.

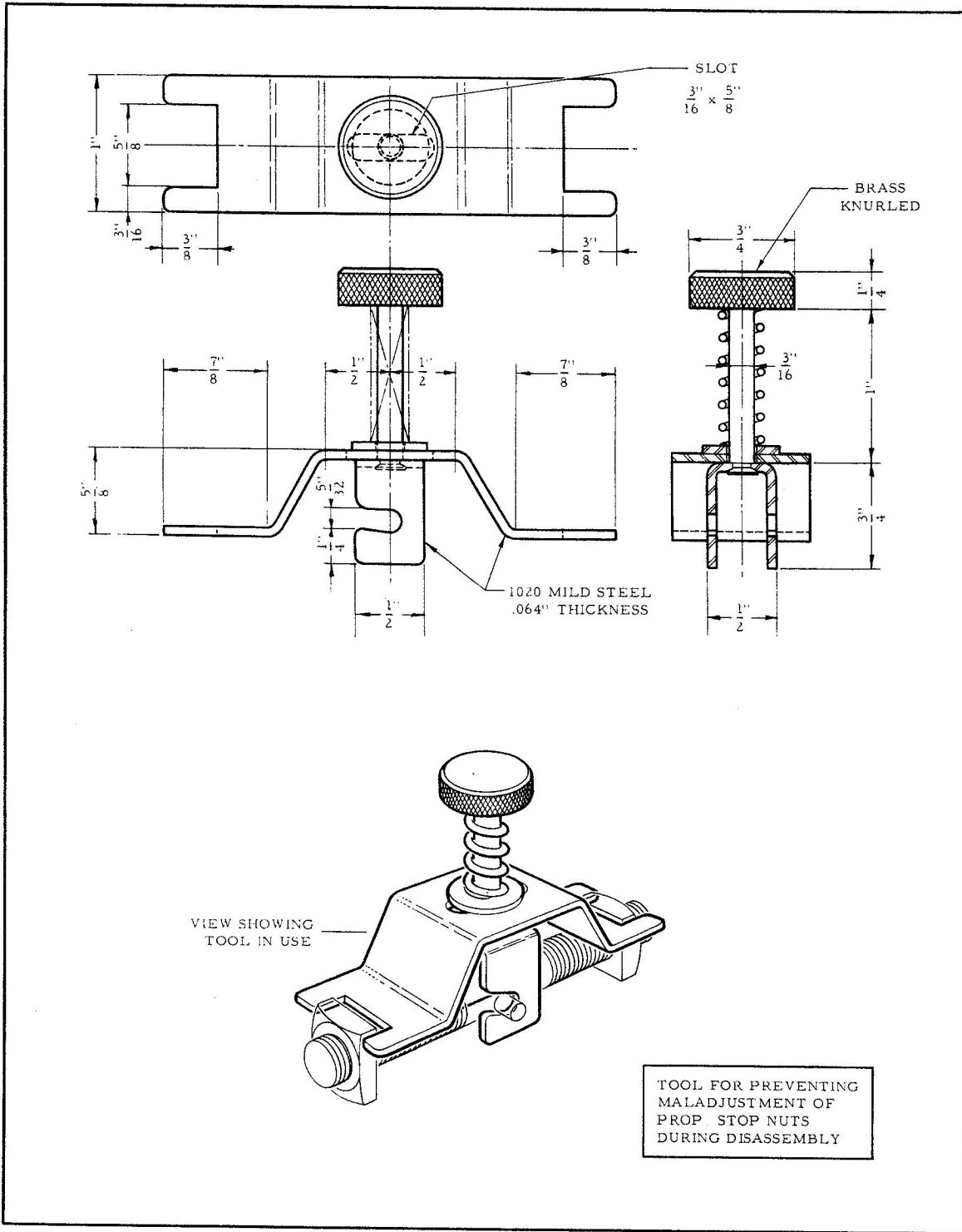


Figure 1

ISSUED ON AUTHORITY OF THE CHIEF OF THE AIR STAFF

Prepared By:-
AMC/SACO/ACR